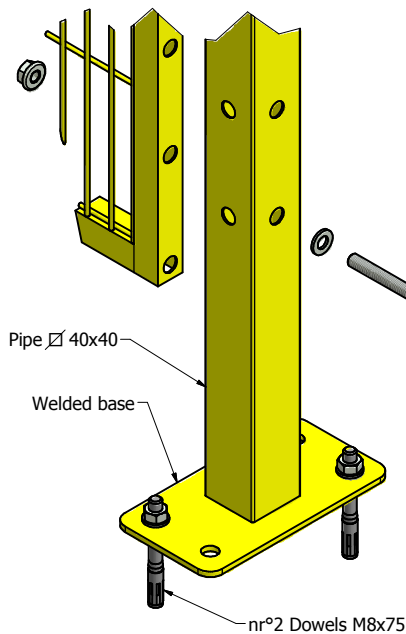
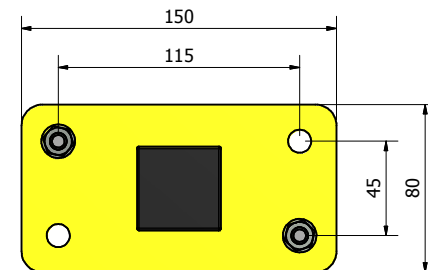
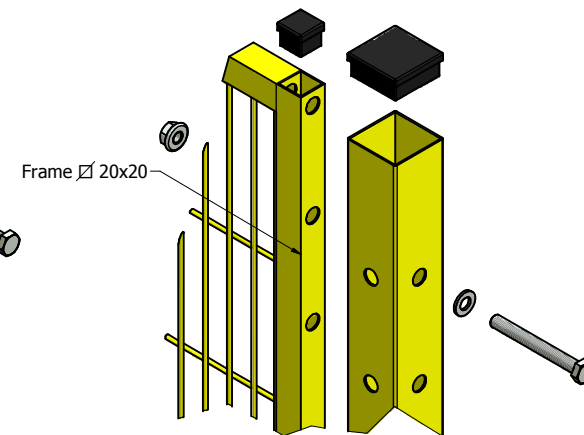


Detail A



Detail B



ORDER CODE

A M 040 0000 7 0 0000

- RAL COLOUR
- T (Terminal)
- L (Linar)
- A (Angular)
- P (Door)
- D (90° Different)
- X (to "X")
- Y (to "T")
- WELDED BASE
- HEIGHT
- PIPE 40x40
- POST
- ACCESS

HEIGHT POST	1080	1620	2020	2320
PIPE	40x40	40x40	40x40	40x40

Steel : S 235 JR	Standard colours : 1018/7035/9005	Finish : Powder coating on self colour	Description : Post 40x40 with Viteria system
		Code : AM0400000700000	Standard height Viteria system : h.1080/1620/2020/2320
ACCESS - Safety reserves all rights on this drawing and forbids any reproduction or conveyance to third parties without written authorization.			